

**EXPLOSION PROOF ACTUATOR QUARTER-TURN
VT-OMX SERIES**



VAHN-TECH International Inc., headquartered in Toronto, Canada is a unique company within the Flow Control Industry.

- ✦ 'vt' brand = high quality certified products (API, NSF, CSA, WRAS etc.)
- ✦ Valves, Actuators and Accessories – all 'vt' branded
- ✦ Width and Depth of Product Offerings
- ✦ Flexibility to customize products to customer needs
- ✦ Specialized user-friendly products including large sizes
- ✦ Quick Response
- ✦ Reduced Delivery times
- ✦ Efficient after sales service
- ✦ Competitive Pricing

VAHN-TECH International Inc. is a customer focused organization based on “Value-add” and “Quality Service” principles. Achieving long term partnership with our customers and being their supplier of choice is our prime mission.

We develop, manufacture and market VAHN-TECH (vt) branded Valves, Actuators, Automatic Control Valves and Accessories for variety of Industrial Applications. Our product range includes:



We can supply all types of valves with following materials of construction like:

Ductile Iron, Cast Iron, Carbon Steel, Stainless Steel – SS304, SS304L, SS316, SS316L, Duplex Stainless Steel, Super Duplex, Alloy, Monel and Inconel with variety of seating and stem configurations.



OVERVIEW

Explosion-proof quarter-turn electric actuators offer torque ranges from 35 Nm to 1,500 Nm (310 in.lb to 13,280 in.lb). All Models are ISO 5211 compliant and are equipped with a visual position indicator. The manual override can be operated without clutch and brake.

VT-OMX series explosion-proof quarter-turn electric actuators are structured as flame-proof and combustible dust-proof. The directive and standards marking are II2GD Ex db IIB T4 Gb, Ex tb IIIC T130°C Db. They are classified as Zone 1 or Zone 2, containing Group II A and Group II B gases, Zone 21 or Zone 22, containing combustible dust atmospheres or explosive gas atmospheres and combustible dust atmospheres. Temperature group T1 to T4.

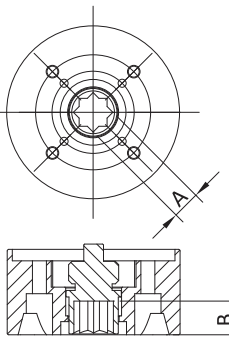
FEATURES

- ✦ Enclosure conforms to IP68 (7 m / 72 hrs) with explosion proof rating.
- ✦ Self-locking gear system.
- ✦ Clutch-free manual override.
- ✦ Externally adjustable mechanical stops for VT-OMX-2 to VT-OMX-8.
- ✦ Continuous mechanical position indicator.
- ✦ Built-in thermal protection prevents motor burnout.
- ✦ All models are equipped with torque switches (except VT-OMX-1, VT-OMX-A and VT-OMX-AM)

STANDARD SPECIFICATIONS

- ✦ Available supply voltages: 12 VAC / DC, 24VAC / DC, 100V AC, 110VAC, 120VAC, 200VAC, 220VAC and 240VAC
- ✦ Dry powder coated aluminum alloy housings.
- ✦ Standard 30% duty cycle.
- ✦ 2 limit switches for operation, torque switches and floating control provided as standard.
- ✦ Relative humidity: 30 to 95%
- ✦ Ambient Temperature: -30°C to +70°C / -22°F to +158°F.



Model	Type	Motor Power		Weight		Speed	Manual Override	Flange Type	Shaft (A)		Depth of Shaft (B)		
		N.m	in.lb	W	kg	lb		(sec/90°)	ISO 5211	mm	inch	mm	inch
VT-OMX-A		50	445	10	3	7	27	N/A	F07	17	0.669	21	0.787
VT-OMX-AM		50	445	10	3	7	27	Lever	F07	17	0.669	21	0.787
VT-OMX-1		35	310	10	2	4	12		F03 / F05	14	0.551	18	0.669
VT-OMX-2		90	800	40	18	40	17	Handwheel	F07	22	0.866	35	1.181
VT-OMX-3		150	1330	40	18	40	26		F07	22	0.866	35	1.181
VT-OMX-4		400	3540	80	32	71	19		F10	36	1.417	53	1.889
VT-OMX-5		500	4430	80	32	71	26		F10	36	1.417	53	1.889
VT-OMX-6		650	5755	80	32	71	34		F10	36	1.417	53	1.889
VT-OMX-7	1000	8855	120	46	101	50	F12 / F14		36	1.417	55	1.968	
VT-OMX-8	1500	13280	120	46	101	51	F12 / F14	36	1.417	55	1.968		

ENCLOSURE HAZARDOUS AREA RATING

ATEX European Hazardous Area: IEC 60079-0, IEC 60079-1, IEC60079-31

Directive	Group	Ambient Temperature
ATEX II 2 GD	Ex db IIB T4 Gb	-30°C ~ +70°C (-22°F ~ +158°F)
ATEX II 2 GD	Ex tb IIIC T130°C Db	-30°C ~ +70°C (-22°F ~ +158°F)

IECEx International Hazardous Area: EN60079-0, EN60079-1, EN60079-31

Group	Ambient Temperature
Ex db IIB T4 Gb	-30°C ~ +70°C (-22°F ~ +158°F)
Ex tb IIIC T130°C Db	-30°C ~ +70°C (-22°F ~ +158°F)

North American Hazardous Area:

Zone System :

- CAN/CSA-C22.2 No. 0-10
- CAN/CSA-C22.2 No. 60079-1
- UL 60079-0
- CAN/CSA-C22.2 No. 60079-0
- CAN/CSA-C22.2 No. 60079-31
- UL 60079-1
- UL 60079-31

National Community	Class	Zone	Protection Method	Groups	T-Code	Standard Temperature
AEx / Ex	I	1	db	IIB, IIA	T4	-30°C ~ +70°C (-22°F ~ +158°F)
AEx / Ex	II	21	tb	IIC, IIB, IIIA	T130°C	-30°C ~ +70°C (-22°F ~ +158°F)

OPTIONS AND ACCESSORIES

SPACE HEATER



AC/DC 24V AC 200V AC 110V AC 380V~400V/3PH

A space heater can increase the internal temperature and keep dry inside actuator to avoid the freezing lubricant and moisture causing actuator failure under low temperature or high humidity. Heater is not recommended if the ambient temperature is above 35°C/95°F. However, when the temperature varies much from day to night or between summer and winter, heater and thermostat (25±5°C/77°F±9°F) are recommended.

TORQUE SWITCHES



This optional accessory can provide over-load protection. It is available for VT-OM-2 to VT-OM-13 actuators and must be ordered with actuator.

HEATER THERMOSTAT



This optional accessory can switch the heater off when the temperature inside the actuator is over 25°C / 77°F.

MODULATING CONTROLLER

Input Signal: 4-20mA, 1-5V, 2-10V

Output Signal: 4-20mA, 2-10V



VT-OM-1, VT-OM-A, VT-OM-A-M



VT-OM-2 VT-OM-13,
VT-OM-F, VT-OM-G

Actuator can be operated according to input signal and provide the output signal for indication.

Chain Wheel

This optional accessory can convert the hand-wheel override to a chain driven override in application of actuator mounted at a distance above the floor. It is available VT-OM-2 to VT-OM-13, VT-OM-F, VT-OM-G actuators.



ADDITIONAL LIMIT SWITCHES



VT-OM-1, VT-OM-A,
VT-OM-A-M

VT-OM-2 ~ VT-OM-13 VT-BM-2,
VT-OM-F, VT-OM-G

The standard models are equipped with the 1st & 2nd switches for fully-open and fully-closed. The optional accessory with the 3rd & 4th auxiliary switches which provide dry contacts for fully-open and fully-closed added.

ANALOG SIGNAL OUTPUT



VT-OM-1, VT-OM-A, VT-OM-A-M VT-OM-2~VT-OM-13, VT-OM-F, VT-OM-G

This optional accessory can provide various output signals position indicator and etc. Output Signal: 0-20mA, 4-20mA, 0-5V, 0-10V, 2-10V.

EXTENDED DUTY CYCLE (IEC STANDARD)



VT-OM-1, VT-OM-A, VT-OM-A-M:
75% Duty Cycle



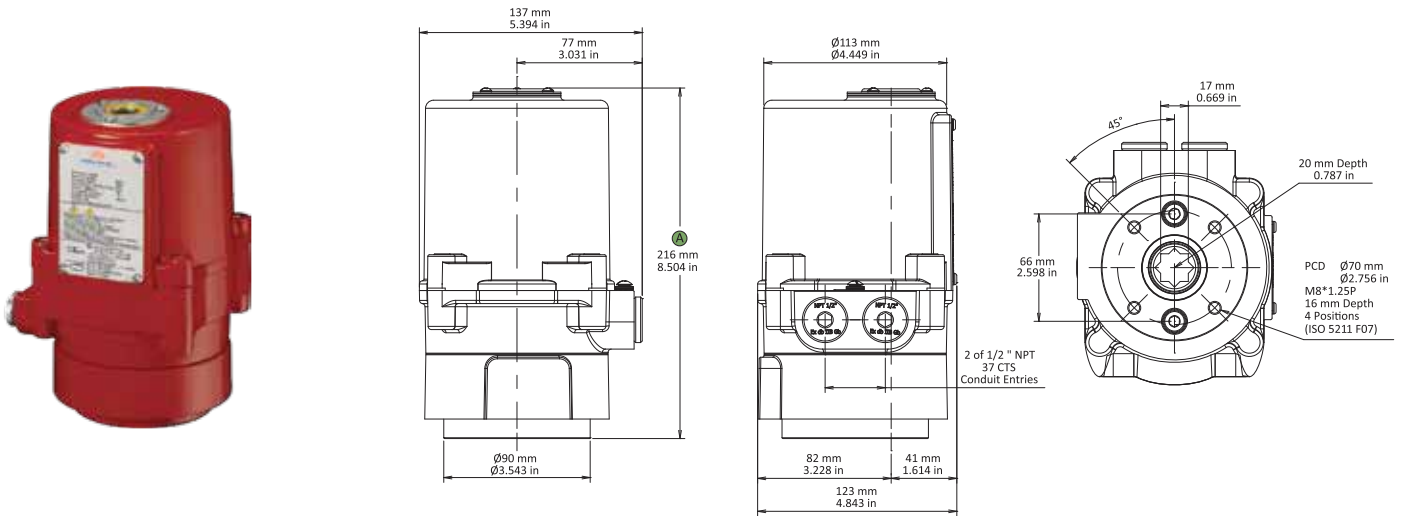
VT-OM-2~VT-OM-8: 75% Duty Cycle
VT-OM-9~VT-OM-13: 50% Duty Cycle

This optional accessory is allows for higher duty cycle.

Conduit Entries

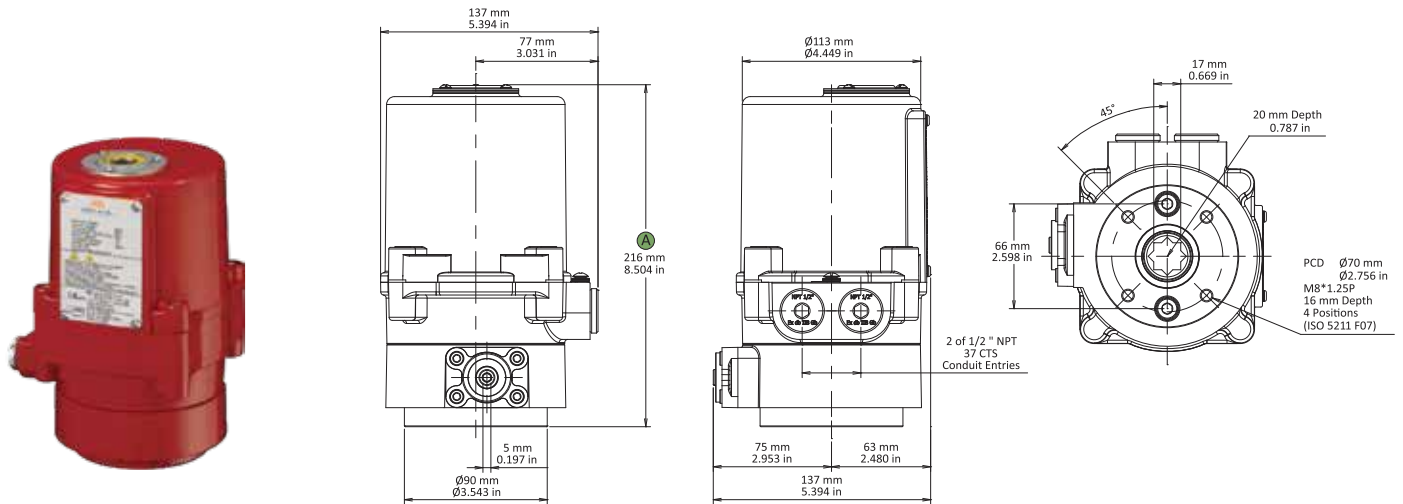
Standard: 1/2" PS
Optional: 3/4" PF
1/2" NPT
M20

ACTUATOR DIMENSION (mm/in)



VT - OMX - A

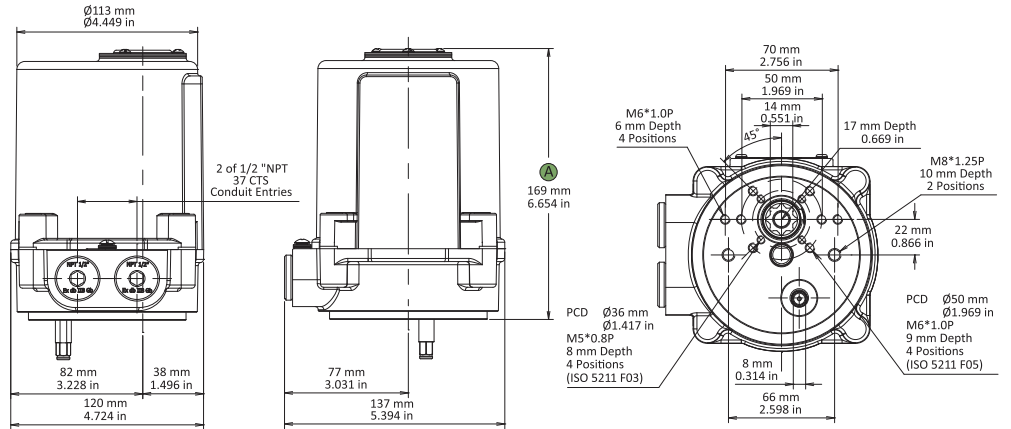
✦ Apply to modulating control models, Ⓜ 248 mm (9.764 in)



VT - OMX - AM

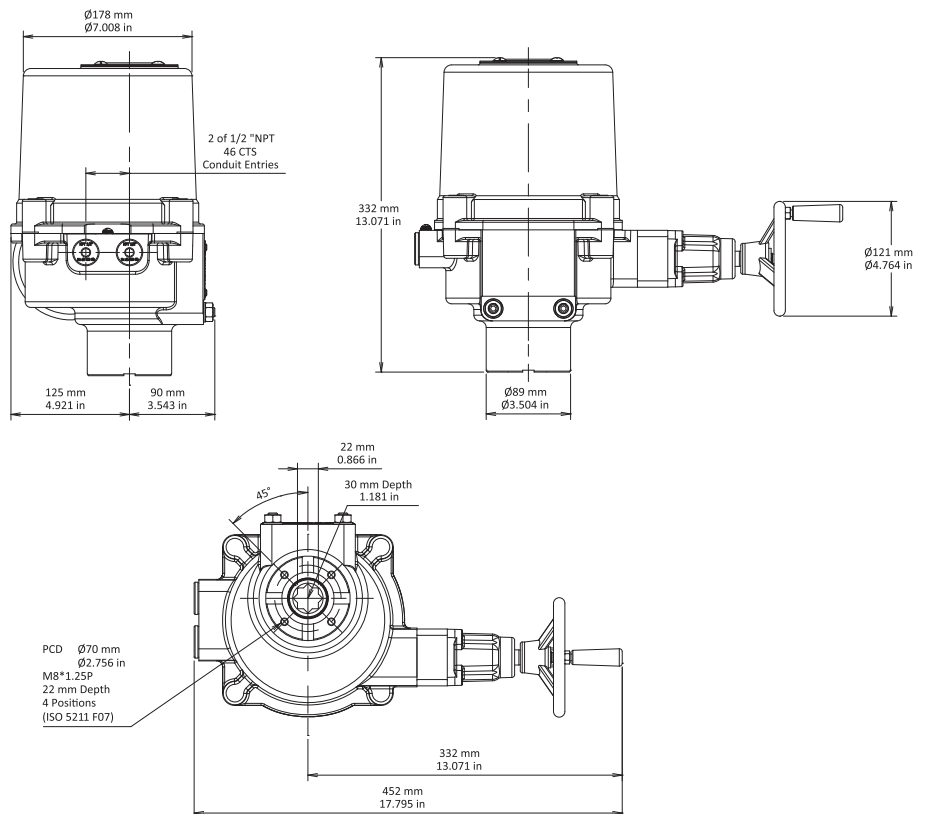
✦ Apply to modulating control models, Ⓜ 248 mm (9.764 in)

ACTUATOR DIMENSION (mm/in)



VT - O M X - 1

✦ Apply to modulating control models, $\text{Ø}248 \text{ mm}$ (9.764 in)

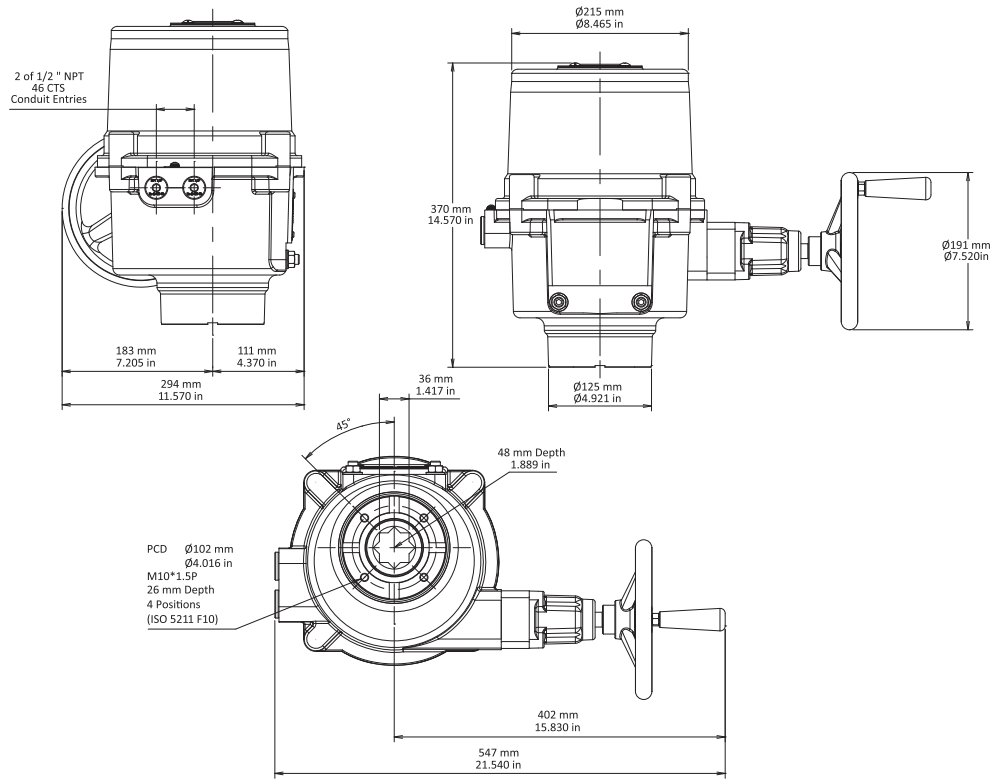


VT - O M X - 2 / 3

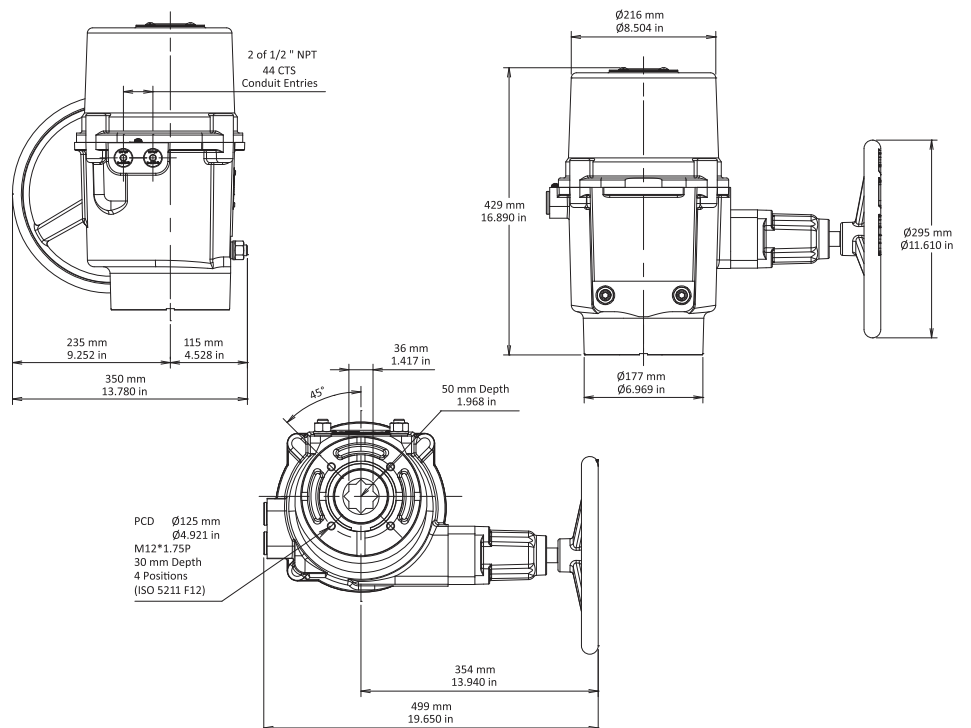
ACTUATOR DIMENSION (mm/in)



VT-OMX-4/5/6



VT-OMX-7/8



Distributors

AMERICAS

Aqua-Mecanique Inc.
825 Rue Salaberry, Laval,
Quebec H7S 1H,
CANADA

Tel.: +1 450-933-9962
info@aquamecanique.com

Conval Process Solutions Inc.
6185 Tomken Road, Units 3-5
Mississauga, Ontario L5T 1X6,
CANADA

Tel.: +1 416-665-8960
info@convalpsi.com

Imperial Valve Ltd.
3022 Spring Street,
Port Moody, BC V3H 1Z8,
CANADA

Tel.: +1 604-461-3438
sales@imperialvalve.com

N2X Process Solutions
2500 - 500 4th Avenue SW
Calgary, Alberta, T2P 2V6
CANADA

Tel.: +1 855-465-8985
info@n2x.ca

Proflow Pumping Solutions
206 Thru-Way Park Rd.
Broussard, LA 70518
Louisiana

Tel.: (337) 534-8174
allen.bourgeois@proflow.co

CG Industrial Specialties Ltd.
558 East Kent Ave. South,
Vancouver, British Columbia
V5X 4V6, CANADA

Tel.: +1 604-263-1671
sales@cgis.ca

Folsom Industrial
1815 West 2300 South Salt Lake
City, UT 84119,
USA

Tel.: +1 801-972-4600
sales@folsomindustrial.com

Triangle Pump and Equipment
7509 South 5th Street, Suite
103 Ridgefield WA 98642,
USA

Tel.: +1 360-887-9530

Techmatic, Inc.
4922 Technical Dr Milford,
MI 48381,
USA

Phone: +1 248-685-8166
sales@techmatic.com

**Mountain States Engineering
and Controls**
1520 Iris Street Lakewood, CO
80215, USA

Tel.: +1 303-232-4100
info@mnteng.com

Serv-Atron Inc.
14905 Smalling Road
North Little Rock, AR 72113,
USA

Tel.: +1 501-851-6166
gary@serv-atron.com

ECAMG LLC Colombia
3727 Greenbriar Drive STE 404
Stafford, TX 77477
USA

Tel.: +1 281-576-7414
sales@ecamg.com

EINSUR S.A. DE C.V.
Av. Veracruz No. 436 Col.
Petrolera Coatzacoalcos
Veracruz 96500, MEXICO

Tel.: +52 921-215-3650
ventas@einsur.com.mx

ASIA / MIDDLE EAST

Blue Star Limited
Bandbox House, 4th Floor,
254D Dr Annie Besant Rd,
WORLI Mumbai 400 030, INDIA

Tel.: +91 22-66544000

**Super Technical
Enterprises**
Street 29, Al Wakalat, Industrial
Area, QATAR

Tel.: +974 44505252

PTT Corporation Sdn Bhd,
Lot 1648, Kidurong Industrial
Area, Tg. Kidurong, Bintulu,
Sarawak, MALAYSIA

Tel.: +6086-255 888
sales@pttcorp.com.my

JJW Exports Co.
477/37 No Trang Long - P.13 Q.
Bin Thanh - TP Ho Chi Minh City,
VIETNAM

Tel.: +84 93 2000565

**Zibo Xinlu Machinery
Equipment Co., LTD**
Dahaiyan Industrial Park,
Baita Town, Boshan District,
Shandong Province, CN

Tel.: +86 53 3461 2800
ziboxinlu@163.com

Seven Planets Trading Est.
Riyadh, Saudi Arabia

Tel.: +966 11 472 4944
info@sevenplanetstrade.com

Sunpower Gen. LLC
Abu Dhabi, UAE

Tel.: +971 2 555 6969
info@sunpower.ae

**Super Technical
Enterprises**
P.O.Box 2828, Dubai, UAE

Tel.: +971 4 8861800

**Ethanmt Energy
Technologies Co., LTD.**
1106, Bldg.2, #6 CTYD, Futong E.
Ave. Chaoyang Distr, Beijing CN
Tel.: +84 93 2000565

AFRICA

Leinadibanie Nigeria Limited
1 Akintola Ajeigbe Street
Marwa, Lekki Phase 1, Lekki Lagos,
Nigeria

Tel.: +234 (0) 709 882 1631
leinadibanie@yahoo.com

Aqua Dynamic Limited
#17 Trans Amadi Road
(Mingi Motors Bldg.),
Nkpogu Port Harcourt, Nigeria

Tel: +234 803 725 6829
info@aquadynamic.net

Edison Electromech Limited
33, South loop, Dome, Ga East Municipal,
Greater Accra,
Ghana

Tel.: +233 207 813 219
kanyane.edisonelectromechgh@gmail.com

RUSSIA & CIS

LIAISON OFFICE IN CANADA:

TOLKOF Consulting Limited
Bay # 157 10905-48 St. SE
Calgary Alberta T2C 1G8
CANADA

Tel.: +1 (403) 616-6120
oshabalin@tolkof.com
(Attn: Mr. Oleg Shabalin)

MOSCOW CONTACT:
Mr. Sergei Nikitin

Tel. +7(917) 539-72-53
snikitin@tolkof.com

VAHN-TECH International, DMCC

Cluster W|JBC # 5|Unit 2709
JLT|Dubai, UAE
Tel.: +971 4 434 0647

VAHN-TECH International Inc.

10-755 Queensway East, Mississauga,
Ontario, L4Y 4C5, Canada.
Tel.: +1 416 342 0001 info@vahn-tech.com

VAHN-TECH International (UK) Ltd.

33 Oakleafe Gardens,
Ilford Essex, IG6 1LQ, United Kingdom
Tel.: +44 7956 493190