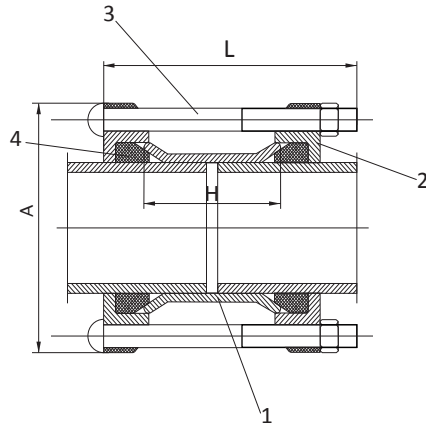


Universal Coupling



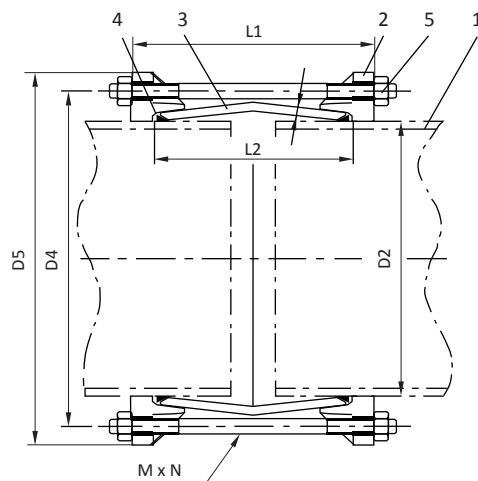
Parts List & Materials

No.	Parts Name	Materials
1	Sleeve	Steel/Ductile Iron
2	End Ring	Ductile Iron
3	Bolt and Nut	Steel 8.8 Zincod/Dacro
4	Gasket	EPDM/NBR
5	Coating	FBE/Rilsan

Main Dimensions

PIPE Norm	RANGE	Bolt L	A mm	H mm	Weight	Pipe to Fit					
						DI	ST	PVC	AC	CI	GRP
DN40	48-60	M12 x 170	160	98	2.4		★	▲			+
DN50	59-72	M12 x 170	165	98	2.5		★	▲	◆	○	+
DN65	72-85	M12 x 170	185	98	3.2		★	▲		○	+
DN80	88-103	M12 x 180	185	103	4.1	●	★	▲	◆	○	+
DN100	109-128	M12 x 180	218	103	4.8	●	★	▲	◆	○	+
DN125	132-146	M12 x 180	250	103	6.3		★				+
DN125	138-153	M12 x 180	260	103	6.8		★	▲		○	+
DN150	159-182	M12 x 190	272	103	7.2	●	★	▲	◆	○	+
DN175	192-210	M12 x 190	312	130	11.0		★	▲		○	
DN200	218-235	M12 x 210	335	130	12.5	●	★	▲	◆	○	+
DN225	242-262	M12 x 210	350	130	14.5		★	▲	◆	○	
DN250	250-267	M12 x 220	380	130	15.0			▲	◆	○	
DN250	272-289	M12 x 220	405	130	16.0	●	★	▲	◆	○	+
DN300	315-332	M12 x 220	430	130	17.0	●	★	▲			+
DN300	322-339	M12 x 220	435	130	18.0	●	★		◆	○	+
DN350	340-360	M12 x 220	455	130	22.0		★	▲	◆	○	
DN350	351-378	M14 x 250	490	130	31.9	●	★	▲	◆		+
DN350	374-391	M14 x 250	510	130	33.0	●			◆		
DN400	390-410	M14 x 250	530	130	35.0			▲	◆		
DN400	410-436	M14 x 250	570	130	38.5	●			◆	○	+
DN400	417-437	M14 x 250	580	130	39.6	●	★		◆	○	+
DN400	425-442	M14 x 250	590	130	39.6	●	★			○	+
DN400	436-462	M14 x 250	600	130	40.7			▲	◆	○	
DN450	454-463	M14 x 250	600	130	45.1		★	▲	◆		
DN450	476-500	M14 x 250	640	130	47.3	●		▲	◆	○	
DN500	500-508	M14 x 250	650	130	47.3		★	▲	◆	○	
DN500	526-546	M14 x 250	690	130	53.9	●			◆	○	+
DN500	560-570	M14 x 250	720	130	55.0		★	▲	◆	○	
DN500	580-590	M14 x 250	740	130	55.0				◆	○	
DN600	600-630	M14 x 250	790	130	71.5		★	▲	◆	○	
DN600	630-650	M14 x 250	800	130	57.2	●		▲		○	
DN650	662-679	M14 x 250	840	130	77.0		★		◆	○	
DN800	800-816	M16 x 280	960	130	120.0		★	▲	◆		

Flexible Couplings (Ductile Iron Pipe)



Parts List & Materials

No.	Parts Name	Materials
1	Pipe	Ductile Iron
2	Retainer	Ductile Iron
3	Body	Ductile Iron
4	Ring	EPDM/NBR
5	Stud	Steel Zincd/Dacro

Main Dimensions

units: mm

DN	D2	D4	D5	L1	L2	t	M	N	W (kg)
80	98	169	198	178	102	7.0	12	4	6.4
100	118	189	218	178	102	7.5	12	4	7
125	144	215	244	178	102	7.5	12	4	9.1
150	170	241	270	178	102	8.0	12	4	11.2
200	222	293	322	178	102	8.5	12	6	15
250	274	345	374	178	102	9.0	12	6	21.5
300	326	397	426	178	102	10.0	12	8	23.1
350	378	458	491	262	152	10.5	16	8	36.4
400	429	509	542	262	152	11.0	16	8	42.4
450	480	556	589	262	152	11.5	16	10	50.7
500	532	608	641	262	152	12.0	16	10	54.6
600	635	711	744	262	152	13.5	16	12	74.1
700	738	814	847	262	152	14.5	16	12	97.5
800	842	918	951	262	152	16.0	16	12	105
900	945	1031	1064	278	178	17.0	16	14	147.0
1000	1048	1134	1167	278	178	18.0	16	14	157.5
1100	1152	1245	1278	290	178	19.5	16	16	272.0
1200	1255	1348	1381	290	178	20.5	16	18	301.0
1400	1462	1555	1588	290	178	23.0	16	20	406.0
1500	1565	1658	1691	290	178	24.0	16	20	443.2
1600	1668	1761	1794	290	178	25.5	16	24	480.0
1800	1875	1974	2007	437	254	28.0	16	32	640.0
2000	2082	2187	2220	437	254	30.0	16	36	860.0