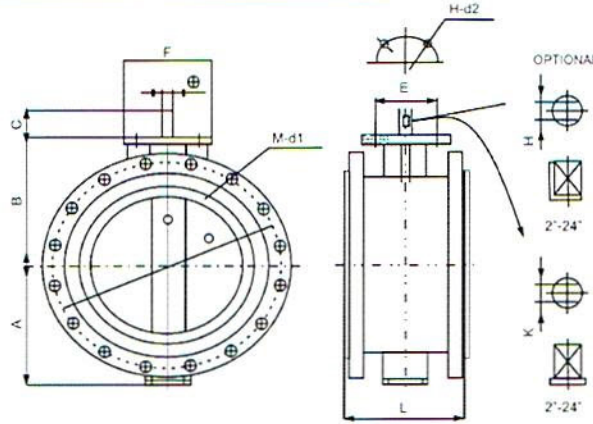
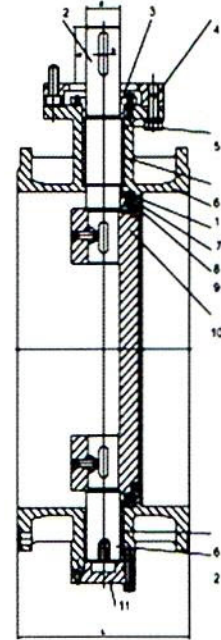


vt - FBGX



Part No	Part	Material
1	Body	CI(GG25)/DI(GGG 40) with epoxy coating with 300 microns
2	Upper & Lower shaft	SS420 / SS 316 / SS 316L
3	Packing gland	Carbon Steel / SS 316 / SS 316L
4	Spring Gasket	3Cr13
5	Adjustable Ring	Al-Bronze
6	Upper & Lower bush	Al-Bronze
7	Seat ring on Body	304
8	Retainer ring Carbon	Steel
9	Rubber ring	EPDM
10	Disc	CI(GG 25) / DI(GGG 40) / SS 316 / SS 316L
11	End Cover	CI(GG 25) / DI(GGG 40) / SS 316 / SS 316L
12	Bolt	SS304 / SS316 / SS316L
13	O - Ring	EPDM



Other materials not mentioned above on request. For DN 1200 & above, valves will have support feet as a std

Technical Parameters:

- Manufactured according : ISO 5752 table 4 Short / BS 5155 and AWWA C504
- Working pressure : Up to 16 bar for DN100 to DN 600
Up to 10 bar for DN100 to DN 2000
- Working Temperature : -20°C to 160°C Top Flange : ISO5211
- Connection : BS 4504 PN 10 / DIN 2501 PN 10, PN 16 / ANSI B16.5, 125 LBS & 150 LBS
- Face to Face : BS5155, ISO 5752 and AWWA C504
- Application : Water, Sewage, Irrigation, Desalination, Air Conditioning
- Actuation : Gear Operated / Electrical / Pneumatic Actuator

Size		A	B	C	ΦD		ΦE	ΦF	ΦG	N-d1		N-d2	L	M	K
mm	Inch				PN10	PN16				PN10	PN16				
50	2"	65	120	32	125	125	70	90	12.7	4.18	4.18	4-9.5	108	10	10
65	2.5"	70	126	32	145	145	70	90	12.7	4.18	4.18	4-9.5	112	10	10
80	3"	80	133	32	160	160	70	90	12.7	4.18	8.18	4-9.5	114	10	10
100	4"	100	148	32	180	180	70	90	15.9	8.18	8.18	4-9.5	127	12	12
125	5"	110	160	32	210	210	70	90	19	8.18	8.18	4-9.5	140	14	16
150	6"	135	180	32	240	240	70	90	19	8.22	8.22	4-9.5	140	14	16
200	8"	160	205	45	295	295	102	125	22.2	8.22	12.22	4-11.5	152	17	16
250	10"	196	248	45	350	355	102	125	28.6	12.22	12.26	4-11.5	165	22	24
300	12"	220	270	45	400	410	102	125	31.7	12.22	12.26	4-11.5	178	24	24
350	14"	256	316	45	460	470	102	125	31.7	16.22	16.26	4-11.5	190	24	-
400	16"	308	365	51	515	525	165	210	33.34	16.28	18.30	4-22.2	216	27	-
450	18"	335	390	51	565	585	165	210	38	20.26	20.30	4-22.2	222	32	-
500	20"	360	415	64	620	650	165	210	41.15	20.28	20.33	4-22.2	229	38	-
600	24"	426	510	70	725	770	165	210	50.65	20.30	20.36	4-22.2	267	-	-
700	28"	480	580	72	840	840	254	300	55	24.30	24.36	8.18	292	-	-
800	32"	525	610	72	950	950	254	300	55	24.33	24.39	8.18	318	-	-
900	36"	635	690	77	1050	1050	254	300	75	28.33	28.39	8.18	330	-	-
1000	40"	685	740	85	1160	1160	254	300	85	32.36	28.42	8.18	410	-	-
1200	48"	870	856	150	1380	-	298	350	92	32.39	32.48	8.22	470	-	-