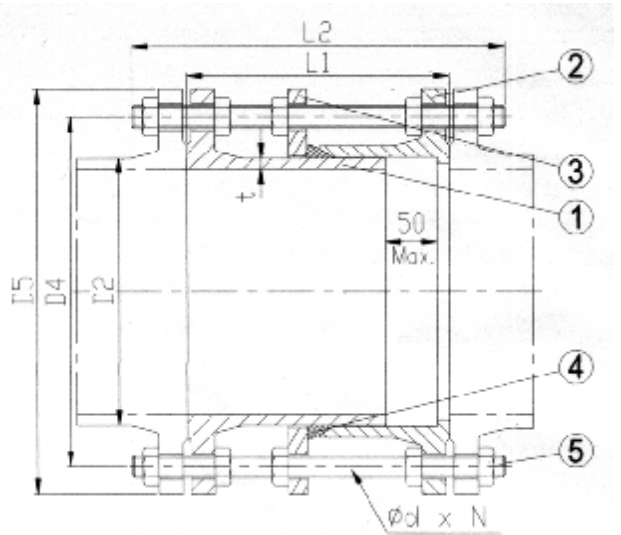


## Dismantling Joints PN 16

Decription	Material
Pipe	Ductile Iron
Body	Ductile Iron
Retainer	Ductile Iron
Ring	Rubber
Stud	SS304



\*Flange in accordance with ISO2531 PN16.

\*\*Nominal Pressure: 16 bar, Test Pressure: 25 bar

DN	D2	D4	D5	L1	L2	d	N	T
80	98	160	200	200	310	16	8	7.0
100	118	180	220	200	310	16	8	7.2
125	144	210	250	200	310	16	8	7.5
150	170	240	285	200	320	20	8	7.8
200	222	295	340	220	340	20	12	8.4
250	274	355	400	230	370	24	12	9.0
300	326	410	455	250	410	24	12	9.6
350	378	470	520	260	410	24	16	10.2
400	429	525	580	270	430	27	16	10.8
450	480	585	640	270	430	27	20	11.4
500	532	650	715	280	440	30	20	12.0
600	635	770	840	300	480	33	20	13.2
700	738	840	910	300	480	33	24	14.4
800	842	950	1025	320	520	36	24	15.6
900	945	1050	1125	320	520	36	28	16.8
1000	1048	1170	1255	340	560	39	28	18.0
1100	1152	1270	1355	340	560	39	32	19.2
1200	1255	1390	1485	360	600	45	32	20.4
1400	1462	1590	1685	380	630	45	36	22.8
1500	1565	1710	1820	400	665	52	36	23.0
1600	1668	1820	1930	400	700	52	40	25.2
1800	1875	2020	2130	420	730	52	44	27.6
2000	2082	2230	2345	440	730	56	48	30.0
2200	2288	2440	2555	450	750	56	52	32.4
2400	2495	2650	2765	460	770	56	56	34.8
2600	2702	2850	2965	500	800	56	60	37.2