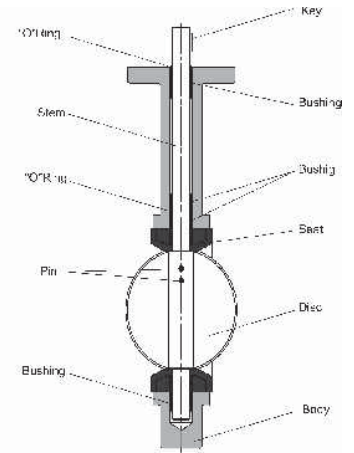
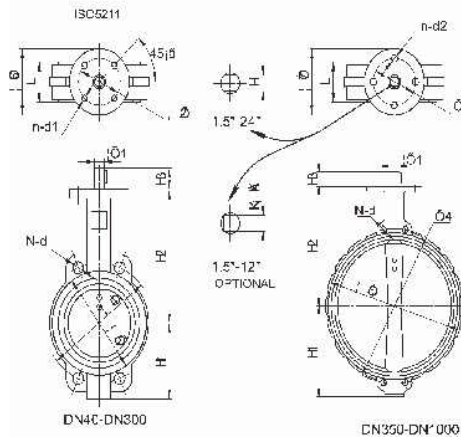


Wafer Type Butterfly Valve



Technical Parameters:

Flow bore : Full port
 Face to Face : ISO 5752 / MSS SP67 / API 609
 Testing : API 598
 Temp: 20° C to 130°C
 Application : Water, Seawater, Sewage, HVAC, Irrigation, etc.
 Flange Drilling : ANSI 125/150

Features:

Low Operating Torque
 Mounting flange according to ISO 5211
 Actuator: lever, gear, electric & pneumatic actuator

No.	Part	Material
1	Body	Cast Iron, Ductile Iron, with Fusion Bonded Epoxy Coating 350μ or Stainless Steel
2	Disc	Ductile Iron / SS304 / SS316 / Aluminum-Bronze
3	Seat	NBR / EPDM / Viton
4	Stem	SS410 / SS304 / SS316 / Aluminum-Bronze
5	Pin	SS316
6	O-Ring	NBR / EPDM / Viton
7	Upper Bushing	Luberized Bronze / PTFE
8	Middle Bushing	Luberized Bronze / PTFE
9	Bottom Bushing	Luberized Bronze / PTFE

Other materials not mentioned above are available on request

Size		Dimensions																		
mm	inch	H1	H2	H3	L	Φ1	Φ2	Φ3	Φ4	ANSI B16.1	Φ5	Φ6	Φ7	N	d	ANSI	n-d1	n-d2	H	K
40	1.5"	60	130	32	36	12.7	50	57.15	98.5	82	70	80	4	15.87	4 - 7	4 - 6.8	10	10		
50	2"	76	162	32	45	12.7	50	57.15	120.65	88	70	80	4	17.46	4 - 7	4 - 6.8	10	10		
65	2.5"	89	175	32	48	12.7	50	57.15	139.7	108	70	80	4	17.46	4 - 7	4 - 6.8	10	10		
80	3"	95	181	32	49	12.7	50	57.15	152.4	118	70	80	4	17.46	4 - 7	4 - 6.8	10	10		
100	4"	114	200	32	55	15.9	70	69.85	190.5	156	90	90	4	17.46	4 - 9.5	4 - 10.3	12	12		
125	5"	127	213	32	58	19	70	69.85	215.9	181	90	90	4	20.64	4 - 9.5	4 - 10.3	14	16		
150	6"	140	225	32	59	19	70	69.85	241.3	210	90	90	4	20.64	4 - 9.5	4 - 10.3	14	16		
200	8"	177	260	45	64	22.2	102	88.9	298.45	260	125	120	4	20.64	4 - 11.5	4 - 14.3	17	16		
250	10"	203	292	45	70	28.6	102	88.9	361.95	321	125	120	4	23.81	4 - 11.5	4 - 14.3	22	24		
300	12"	242	337	45	80	31.7	102	107.95	431.8	384	140	140	4	23.81	4 - 11.5	4 - 14.3	24	24		
350	14"	267	368	45	80	31.7	102	107.95	476.25	400	140	140	4	26.98	4 - 11.5	4 - 14.3	24			
400	16"	298	400	51	90	33.34	165	158.75	539.75	465	210	197	4	26.98	4 - 22.2	4 - 20.6	27			
450	18"	318	422	51	109	38	165	158.75	577.85	514	210	197	4	31.75	4 - 22.2	4 - 20.6	27			
500	20"	349	479	64	135	41.15	165	158.75	635	559	210	197	4	31.75	4 - 22.2	4 - 20.6	32			
600	24"	410	562	70	156	50.65	165	215.9	749.3	686	210	286	4	34.92	4 - 22.2	4 - 22	36			
700	28"	520	624	72	169	55	254	254		795	300	300	4		8 - 18	8 - 18				
750	30"	616	648	72	173	55	254	215.9	914.5	851	300	286	4	1 1/4" - 7	4 - 22.2	8 - 18				
800	32"	591	672	72	195	55	254	254		900	300	300	4		8 - 18	8 - 18				
900	36"	611	768	77	211	75	254	254	1086	1002	300	300	4	41.1	8 - 18	8 - 18				
1000	40"	665	823	85	229	85	254	254		1111	300	300	4		8 - 18	8 - 18				
1050	42"	777	858	85	261	85	254	254	1257.75		300	300	36	41.3	8 - 18	8 - 18				
1200	48"	955	880	150	285	92	298	298	1422.4		350	350	44/32	41.3	8 - 18	8 - 22				