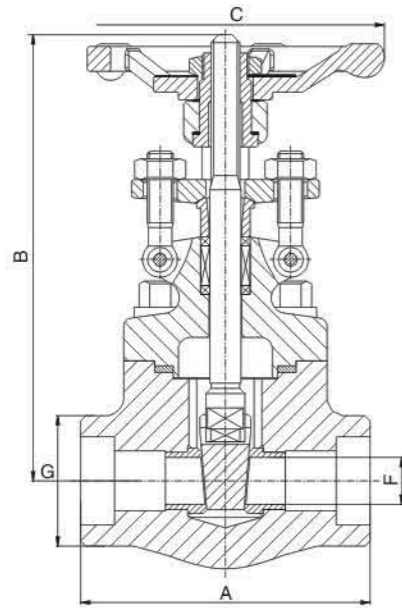


# FORGED STEEL GATE VALVE

CLASS 800~1500

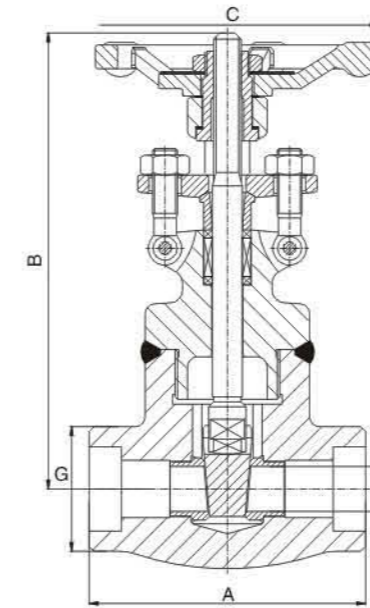


## APPLICATION STANDARDS

- 1、 Design and manufacture conform to; API 602
- 2、 Connection ends conform to;
  - 1) Socket welded dimension conform to ANSI B16.11
  - 2) Screw thread dimension conform to ANSI B1.20.1
- 3、 Test and inspection conform to; API 598
- 4、 Structure features; B.B OS&Y
- 5、 Materials conform to ; ANSI/ASTM
- 6、 Main materials;
  - A105; F5; F9; F11; F22; F91; F304; F304L; F316; F316L; F321; LF2 ect.

# FORGED STEEL GATE VALVE

CLASS 800~1500



## APPLICATION STANDARDS

- 1、 Design and manufacture conform to; API 602
- 2、 Connection ends conform to;
  - 1) Socket welded dimension conform to ANSI B16.11
  - 2) Screw thread dimension conform to ANSI B1.20.1
- 3、 Test and inspection conform to; API 598
- 4、 Structure features; W.B OS&Y
- 5、 Materials conform to; ANSI/ASTM
- 6、 Main materials;
  - A105; F5; F9; F11; F22; F91; F304; F304L; F316; F316L; F321; LF2 ect.

CLASS 800																
REDUCED BORE									FULL BORE							
Size	1/4'	3/8'	1/2'	3/4'	1'	1 1/4'	1 1/2'	2'	Size	1/2'	3/4'	1'	1 1/4'	1 1/2'	2'	
A	79	79	79	92	111	120	120	140	A	92	111	120	120	140	160	
B Open	149	149	153	153	185	222	240	279	B Open	153	185	222	240	279	333	
C	100	100	100	100	125	160	160	180	C	100	125	160	160	180	200	
F	8	10	13	13	18	29	29	36.5	F	13	18	24	29	36.8	48	
G	34	34	34	40	49	64	64	78	G	40	49	58	61	78	82	
Weight (kg)	1.9	1.9	2.0	2.2	3.6	6.2	6.2	9.7	Weight (kg)	3.3	3.8	5.8	6.7	10.3	15.2	

CLASS 800																
REDUCED BORE									FULL BORE							
Size	1/4'	3/8'	1/2'	3/4'	1'	1 1/4'	1 1/2'	2'	Size	1/2'	3/4'	1'	1 1/4'	1 1/2'	2'	
A	79	79	79	92	111	120	120	140	A	92	111	120	120	140	160	
B Open	157	157	161	161	190	220	240	279	B Open	161	190	220	240	279	319	
C	100	100	100	100	125	160	160	180	C	100	125	160	160	180	200	
F	8	10	13	13	18	24	29	36.8	F	13	18	24	29	36.8	36.8	
G	34	34	34	40	49	58	64	78	G	40	49	58	64	78	88	
Weight (kg)	1.7	1.7	1.8	2.0	3.4	5.3	6.0	9.5	Weight (kg)	3.2	3.7	5.7	6.6	10.2	15.1	

CLASS 1500																
REDUCED BORE									FULL BORE							
Size	1/4'	3/8'	1/2'	3/4'	1'	1 1/4'	1 1/2'	2'	Size	1/2'	3/4'	1'	1 1/4'	1 1/2'	2'	
A	79	92	92	111	120	120	140	160	A	111	120	120	140	160	230	
B Open	175	178	181	181	218	237	274	319	B Open	181	218	237	274	319	345	
C	100	100	125	125	160	160	180	200	C	125	160	160	180	200	200	
F	8	13	13	13	18	24	29	36.8	F	13	18	24	29	36.8	48	
G	34	40	42	49	58	64	78	88	G	49	58	64	78	88	88	
Weight (kg)	3.0	3.2	3.5	4.0	6.0	7.0	10.8	15.5	Weight (kg)	4.3	6.3	7.3	11.2	15.9	16.5	

CLASS 1500																
REDUCED BORE									FULL BORE							
Size	1/4'	3/8'	1/2'	3/4'	1'	1 1/4'	1 1/2'	2'	Size	1/2'	3/4'	1'	1 1/4'	1 1/2'	2'	
A	79	92	92	111	120	120	140	160	A	111	120	120	140	160	230	
B Open	175	175	181	181	218	237	274	319	B Open	181	218	237	274	319	345	
C	100	100	125	125	160	160	180	200	C	125	160	160	180	200	200	
F	8	13	13	13	18	24	29	36.8	F	13	18	24	29	36.8	48	
G	34	40	42	49	58	64	78	88	G	49	58	64	78	88	88	
Weight (kg)	2.8	3.0	3.3	3.7	5.7	6.7	10.5	15.2	Weight (kg)	4.2	6.2	7.2	11.1	15.8	16.4	