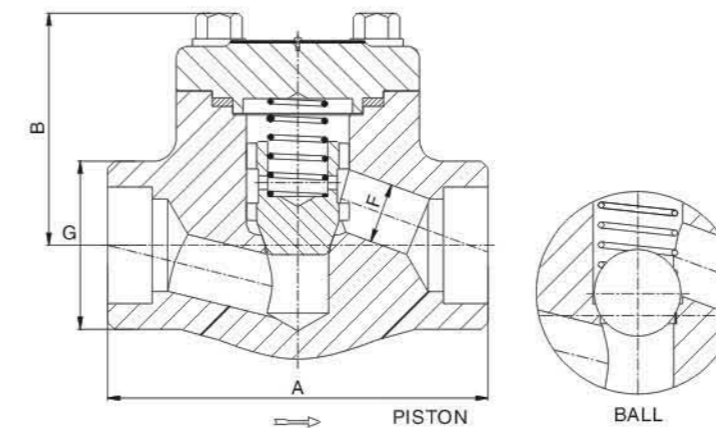


FORGED STEEL CHECK VALVE

CLASS 800~1500



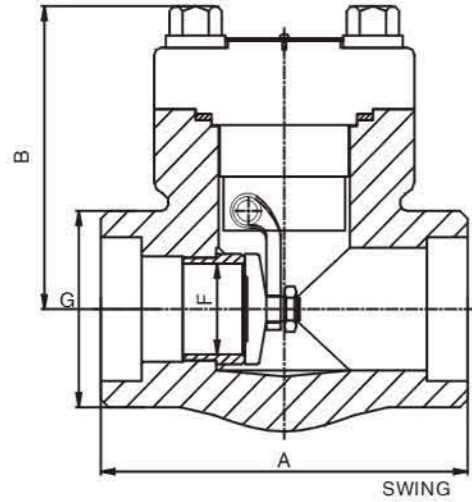
APPLICATION STANDARDS

- 1、 Design and manufacture conform to; API 602
- 2、 Connection ends conform to;
 - 1) Socket welded dimension conform to ANSI B16.11
 - 2) Screw thread dimension conform to ANSI B1.20.1
- 3、 Test and inspection conform to; API 598
- 4、 Structure features; B.B,Piston Type
- 5、 Materials conform to; ANSI/ASTM
- 6、 Main materials;
 - A105; F5; F9; F11; F22; F91; F304;
 - F304L; F316; F316L; F321; LF2 ect.

CLASS 800															
REDUCED BORE									FULL BORE						
Size	1/4'	3/8'	1/2'	3/4'	1'	1 1/4'	1 1/2'	2'	Size	1/2'	3/4'	1'	1 1/4'	1 1/2'	2'
A	79	79	79	92	111	120	152	172	A	92	111	120	152	172	220
B	54.5	54.5	54.5	54.5	72	81	94	112	B	54.5	72	81	94	112	132
F	6.5	10	10	13	17.5	23	28.5	35	F	13	17.5	23	28.5	35	47
G	34	34	34	40	49	58	64	78	G	40	49	58	64	78	88
Weight (kg)	1.5	1.5	1.4	1.9	2.6	4.2	5.3	9.0	Weight (kg)	1.9	2.6	4.2	5.3	9.0	15.6

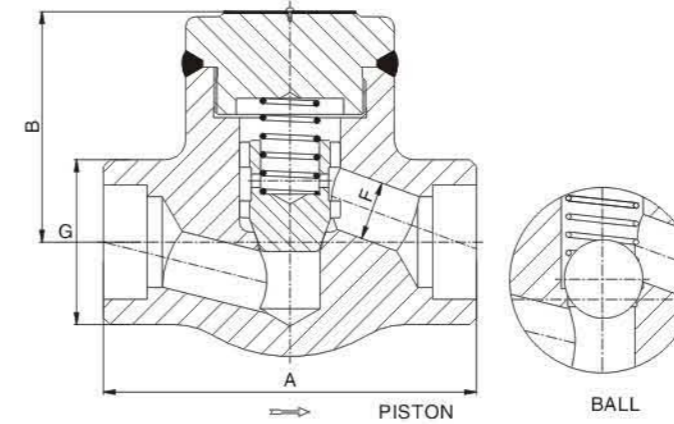
CLASS 1500															
REDUCED BORE									FULL BORE						
Size	1/4'	3/8'	1/2'	3/4'	1'	1 1/4'	1 1/2'	2'	Size	1/2'	3/4'	1'	1 1/4'	1 1/2'	2'
A	79	79	92	111	120	152	172	220	A	111	120	152	172	220	250
B	73	73	73	73	84	97	115	132	B	73	84	97	115	132	132
F	6.5	10	10	13	17.5	23	28.5	35	F	13	17.5	23	28.5	35	47
G	34	34	42	49	58	64	78	88	G	49	58	64	78	88	88
Weight (kg)	2.2	2.2	2.4	2.9	4.6	6.5	10.5	15.5	Weight (kg)	2.9	4.6	6.5	10.5	15.6	17.0





APPLICATION STANDARDS

- 1、 Design and manufacture conform to; API 602;
- 2、 Connection ends conform to;
 - 1) Socket welded dimension conform to ANSI B16.11
 - 2) Screw thread dimension conform to ANSI B1.20.1
- 3、 Test and inspection conform to; API 598
- 4、 Structure features: B.B,Swing Type
- 5、 Materials conform to; ANSI/ASTM
- 6、 Main materials: A105; F5; F9; F11; F22; F91; F304; F304L; F316; F316L; F321; LF2 ect.



APPLICATION STANDARDS

- 1、 Design and manufacture conform to; API 602;
- 2、 Connection ends conform to;
 - 1) Socket welded dimension conform to ANSI B16.11
 - 2) Screw thread dimension conform to ANSI B1.20.1
- 3、 Test and inspection conform to; API 598
- 4、 Structure features: W.B,Piston Type
- 5、 Materials conform to; ANSI/ASTM
- 6、 Main materials: A105; F5; F9; F11; F22; F91; F304; F304L; F316; F316L; F321; LF2 ect.

CLASS 800																
REDUCED BORE									FULL BORE							
Size	1/4"	3/8"	1/2"	3/4"	1"	1 1/4"	1 1/2"	2"	Size	1/2"	3/4"	1"	1 1/4"	1 1/2"	2"	
A	79	79	79	92	111	120	120	140	A	92	111	120	120	140	160	
B	54.5	54.5	54.5	54.5	72	81	94	112	B	54.5	72	81	94	112	132	
F	8	10	13	13	18	24	29	36.8	F	13	18	24	29	36.8	48	
G	34	34	34	40	49	58	64	78	G	40	49	58	64	78	78	
Weight (kg)	1.3	1.3	1.2	1.7	2.4	4.0	5.1	8.8	Weight (kg)	1.7	2.3	3.9	5.0	8.7	15.3	

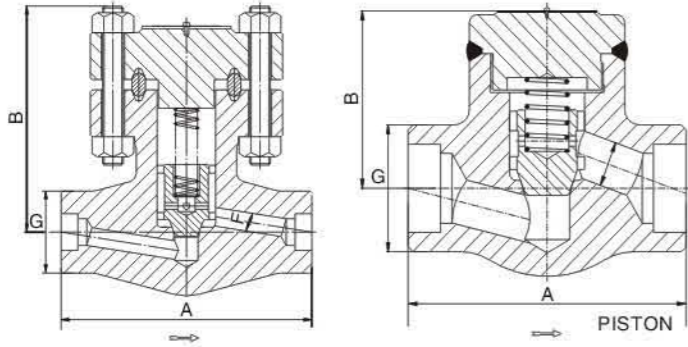
CLASS 800																
REDUCED BORE									FULL BORE							
Size	1/4"	3/8"	1/2"	3/4"	1"	1 1/4"	1 1/2"	2"	Size	1/2"	3/4"	1"	1 1/4"	1 1/2"	2"	
A	79	79	79	92	111	120	152	172	A	92	111	120	152	172	220	
B	54.5	54.5	54.5	54.5	72	81	94	112	B	54.5	72	81	94	112	132	
F	6.5	10	10	13	17.5	23	28.5	35	F	13	17.5	23	28.5	35	47	
G	34	34	34	40	49	58	64	78	G	40	49	58	64	78	88	
Weight (kg)	1.4	1.4	1.4	1.8	2.6	4.2	5.3	9.0	Weight (kg)	1.9	2.6	4.2	5.3	9.0	15.6	

CLASS 1500																
REDUCED BORE									FULL BORE							
Size	1/4"	3/8"	1/2"	3/4"	1"	1 1/4"	1 1/2"	2"	Size	1/2"	3/4"	1"	1 1/4"	1 1/2"	2"	
A	79	79	92	111	120	120	140	160	A	111	120	120	140	160	220	
B	73	73	73	73	84	97	115	132	B	73	84	97	115	132	132	
F	6.8	10	13	13	18	24	29	36.8	F	13	18	24	29	36.8	48	
G	34	34	34	40	49	58	64	78	G	40	49	58	64	78	88	
Weight (kg)	2.2	2.0	2.2	2.7	4.4	6.3	10.3	15.3	Weight (kg)	2.7	4.3	6.2	10.2	15.3	16.7	

CLASS 1500																
REDUCED BORE									FULL BORE							
Size	1/4"	3/8"	1/2"	3/4"	1"	1 1/4"	1 1/2"	2"	Size	1/2"	3/4"	1"	1 1/4"	1 1/2"	2"	
A	79	79	92	111	120	152	172	220	A	111	120	152	172	220	260	
B	73	73	73	73	84	97	115	132	B	73	84	97	115	132	132	
F	6.5	10	10	13	17.5	23	28.5	35	F	13	17.5	23	28.5	35	35	
G	34	34	42	49	58	64	78	88	G	49	58	64	78	88	88	
Weight (kg)	2.2	2.2	2.4	2.9	4.6	6.5	10.5	15.5	Weight (kg)	2.9	4.6	6.5	10.5	15.6	17.0	

APPLICATION STANDARDS

1. Design and manufacture conform to; ANSI B16.34
2. Connection ends conform to;
 - 1) Socket welded dimension conform to ANSI B16.11
 - 2) Screw thread dimension conform to ANSI B1.20.1
3. Test and inspection conform to; API 598
4. Structure features; B.B or W.B
5. Materials conform to; ANSI/ASTM
6. Main materials;
 - A105; F5; F9; F11; F22; F91; F304;
 - F304L; F316; F316L; F321; LF2 ect.



B.B

REDUCED BORE						
Size	1/2'	3/4'	1'	1 1/4'	1 1/2'	2'
A	150	150	170	200	200	250
B	102	102	107	128	128	143
F	11	14	19	25	28	35
G	52	52	64	80	80	95
Weight (kg)	8	7.8	12	19.5	19.3	27

W.B

CLASS 2500						
REDUCED BORE						
Size	1/2'	3/4'	1'	1 1/4'	1 1/2'	2'
A	150	150	170	200	200	250
B	135	135	146	176	176	196
F	11	17	19	25	28	35
G	52	52	64	80	80	95
Weight (kg)	7	6.8	11	18	17.7	29

FORGED STEEL Y TYPE CHECK VALVE CLASS 800~2500

