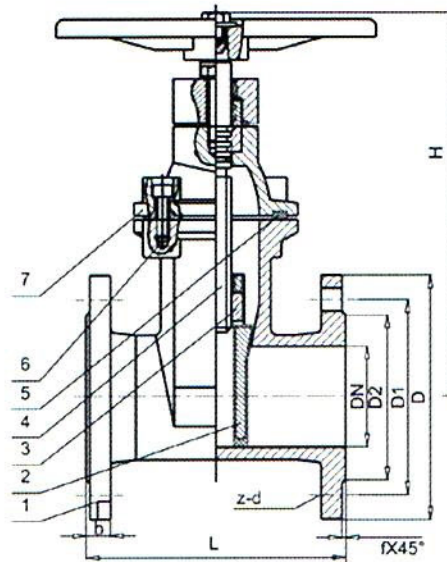


vt - RVHX - 2



Main Materials

Part No.	Part	Material
1	Body	Cast Iron (GG25)/Ductile Iron (GGG40), epoxy coating 300 microns
2	Wedge	Ductile Iron encapsulated with EPDM / NBR rubber
3	Stem Nut	Brass
4	Stem	SS304/SS316/SS316L
5	Gasket	NBR
6	Bolt & Nut	SS304/SS316/SS316L
7	Bonnet	Grey Cast Iron(GG25)/Ductile Iron (GGG40)

Other materials not mentioned above are available on request

Technical Parameter

Pressure Rating : PN16

Flange Drilling and Face to Face Dimensions : BS 5163

Application : Water and Non aggressive effluent

Shell test Pressure : 24 Bar

Seat test pressure : 18 Bar

Working Temperature : 0 -100C

Main Dimension in (mm)

DN	D	D1	D2	H	L	b	f	Z-Ød
50	165	125	99	316	178	19	3X45°	4-Ød19
65	185	145	118	341	190	19	3X45°	4-Ød19
80	200	160	132	371	203	19	3X45°	8-Ød19
100	220	180	156	398	229	19	3X45°	8-Ød19
125	254	210	185	460	254	19	3X45°	8-Ød19
150	285	240	211	490	267	19	3X45°	8-Ød23
200	340	295	266	574	292	20	3X45°	12-Ød23
250	400	355	319	651	330	22	3X45°	12-Ød28
300	455	410	370	741	356	24.5	4X45°	12-Ød28
350	520	470	429	815	381	26.5	4X45°	16-Ød28
400	580	525	480	896	406	28	4X45°	16-Ød30
450	640	585	530	1225	432	30	4X45°	20-Ød30
500	715	650	582	1325	457	31.5	4X45°	20-Ød33
600	840	770	682	1420	508	36	5X45°	20-Ød36